

# RS2 Series Specification Sheet

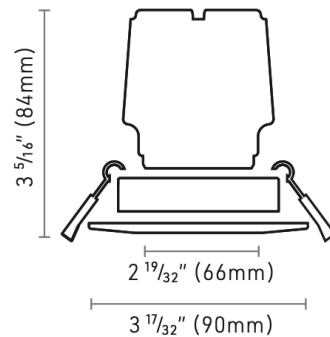
## Omega Recessed Downlight



### Description:

The quality of light for this series is comparable to that of a halogen lamp offering crisp, directional light which perfectly highlights surroundings. It offers a CRI of 90 and glare-control reflector design.

This small LED module provides higher lumen performance than an LED lamp and is very easy to install. Without the need of a housing, it can be installed directly in the ceiling using torsion springs. The LED module is fitted with an external dimmable driver. Omega is also offering style discretion and flexibility with a wide selection of interchangeable trims and accessories.



**3" (76.5 mm)**

### Specification Features:

- Anti-glare reflector design UGR  $\leq 19$
- Reproduces the crisp white light of an MR16 halogen lamp
- 50 000 hours
- High CRI of 90
- Discreet look and sleek design
- Dimmable
- Designed to meet North American woodworking standards.
- 900 lumen (8W) CRI 90+

TRIM	COLOUR TEMP	BEAM SPREAD	POWER SUPPLY	HOUSING
<b>RS2</b>				
RS2 - White Shower/Wet Location	27 - 2700K 30 - 3000K 35 - 3500K 40 - 4000K (Special Order)	22 - 22 Degrees 36 - 36 Degrees 60 - 60 Degrees	B - ELV dimming 120V D - 0-10V dimming 120/277V	N/C - Retrofit PF - New Construction IC - IC Housing

**Housing:**

**New Construction**

**IC Housing**

