

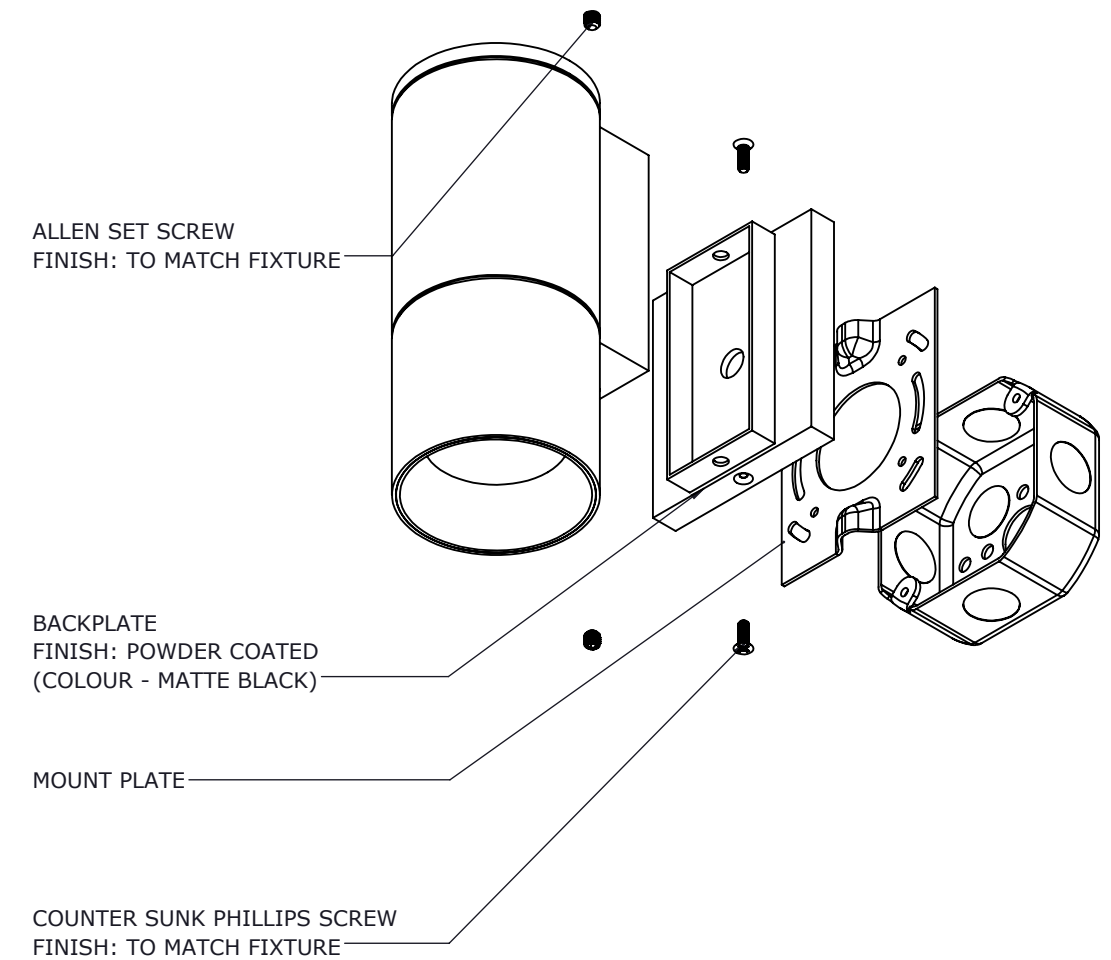
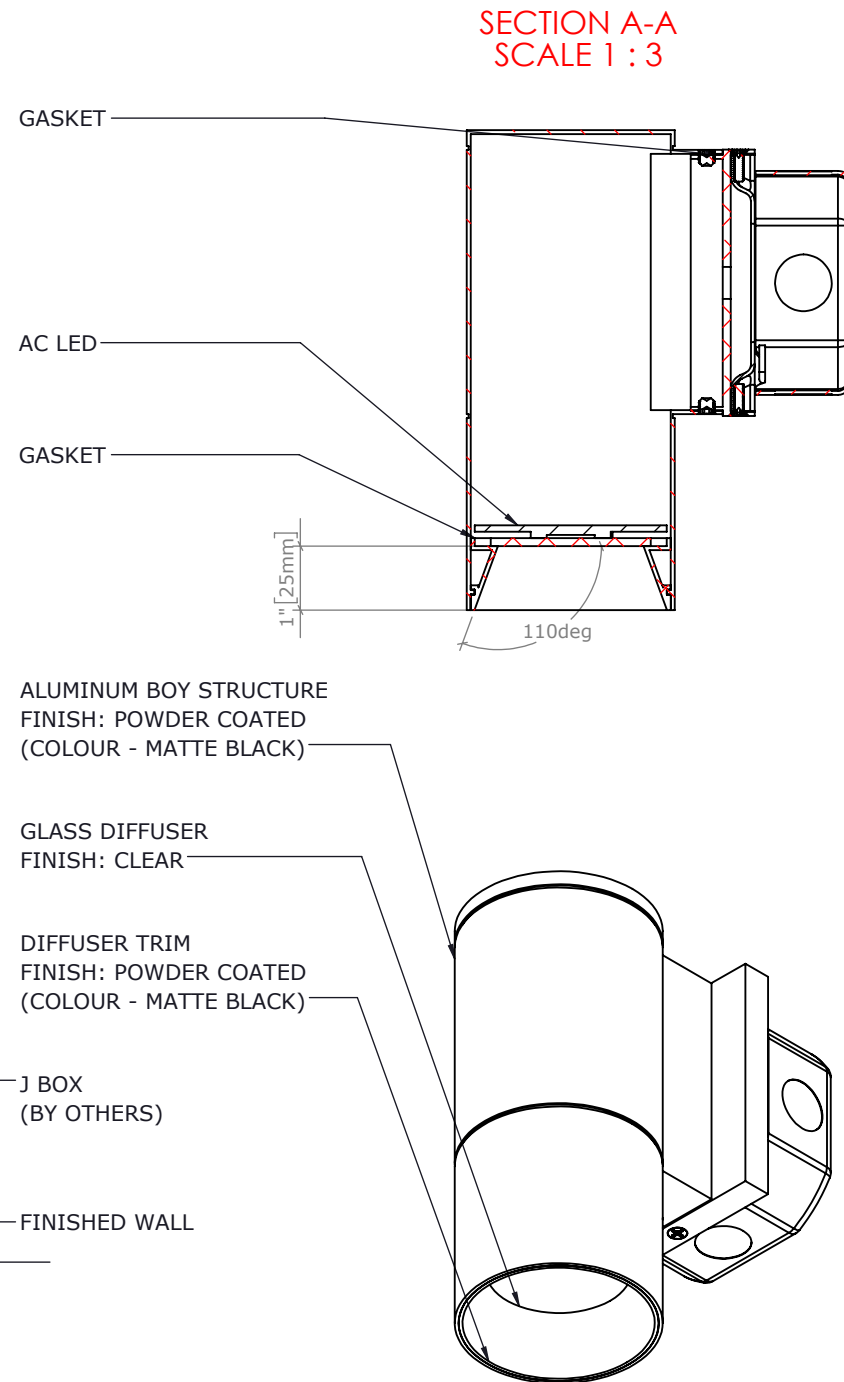
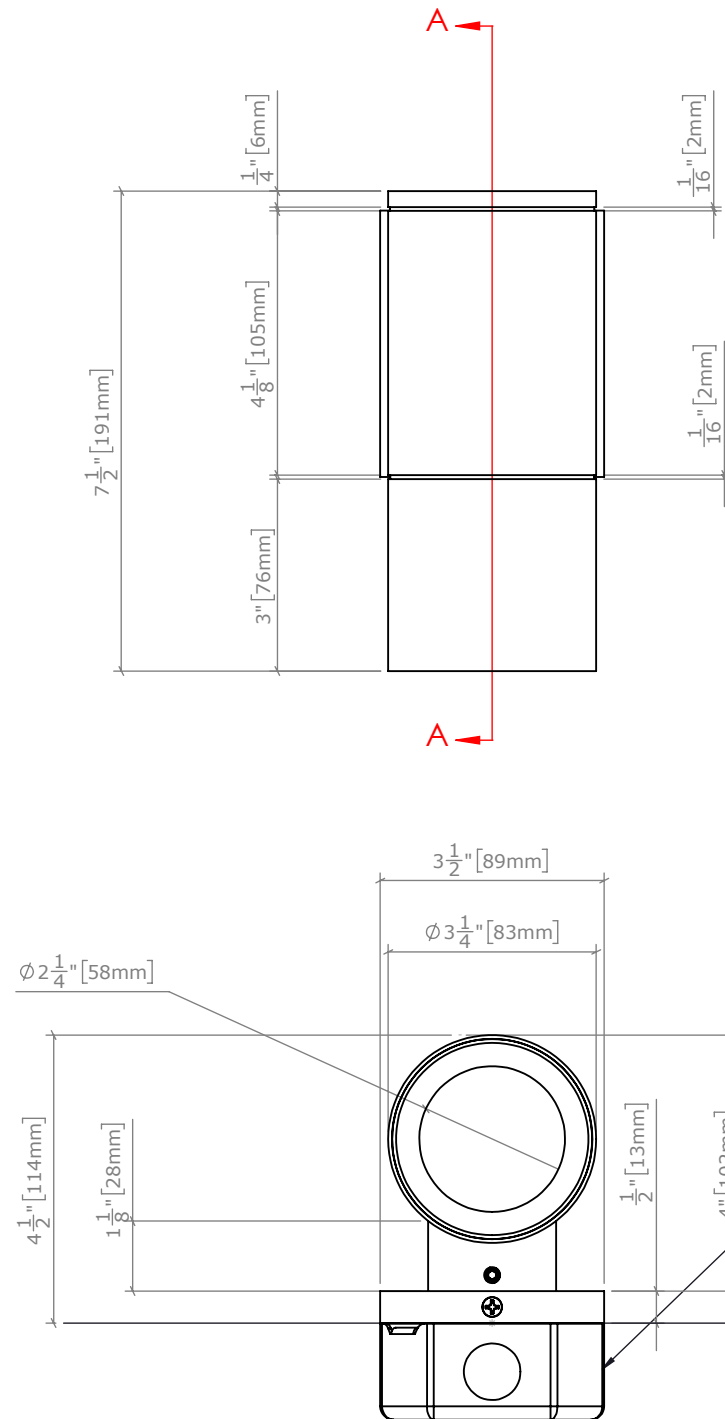


VISIONZ

Lighting  
group  
network

# TUBO DIRECT - WALL SCONCE - (DOWN LIGHT) LGN-W71-LED-BLK

REVISIONS		
REV.	DESCRIPTION	DATE
0	ISSUED FOR APPROVAL	



LAMPING:  
AC LED BOARD 7W, 700LM, 4000K, CRI 90  
TRIAC DIMMING

**NOTES:**  
**TRIAC DIMMING**  
**FINISHES AVAILABLE IN BLACK, WHITE, CHROME**  
**IP65 RATED**

PROJECT: TUBO	SALES: FL	MODEL: W71
LAMP: AC LED 7W, 700LM, 4000K, CRI 90	CERT.: ETL	WEIGHT: ±5LBS   VOLT:120V
DWG:OC24238	BY: AA DATE: 2021-04-06	SCALE: 1:3