



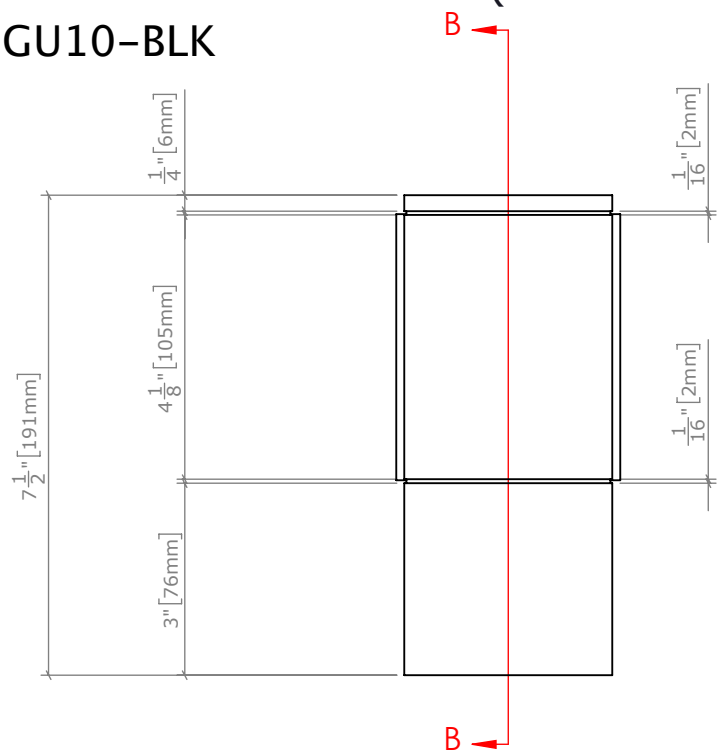
VISIONZ

Lighting
group
network

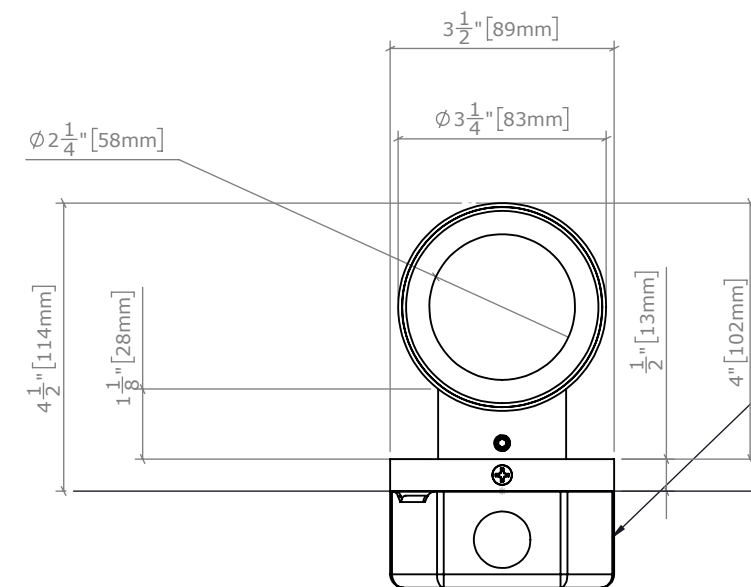
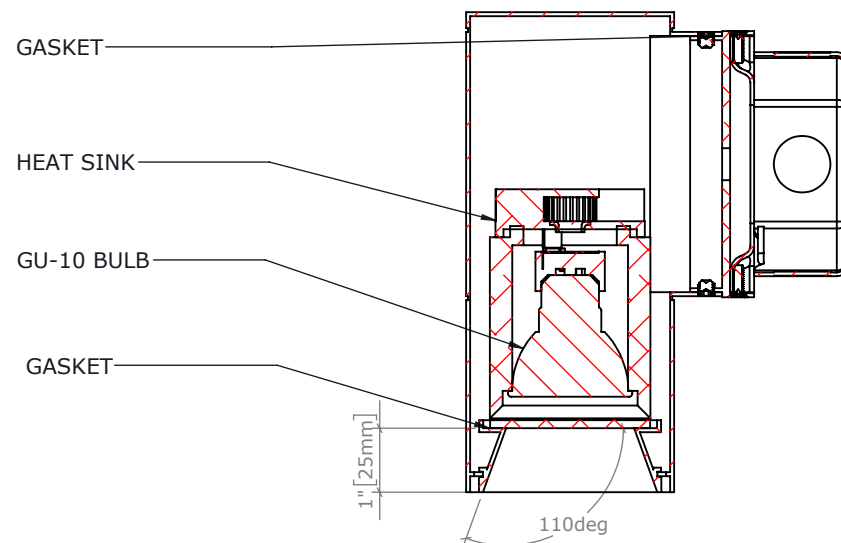
TUBO DIRECT - WALL SCONCE - (DOWN LIGHT)

LGN-W71-GU10-BLK

REVISIONS		
REV.	DESCRIPTION	DATE
0	ISSUED FOR APPROVAL	



SECTION B-B
SCALE 1 : 3



ALUMINUM BOY STRUCTURE
FINISH: POWDER COATED
(COLOUR - MATTE BLACK)

GLASS DIFFUSER
FINISH: CLEAR

DIFFUSER TRIM
FINISH: POWDER COATED
(COLOUR - MATTE BLACK)

J BOX
(BY OTHERS)

FINISHED WALL

ALLEN SET SCREW
FINISH: TO MATCH FIXTURE

BACKPLATE
FINISH: POWDER COATED
(COLOUR - MATTE BLACK)

MOUNT PLATE

COUNTER SUNK PHILLIPS SCREW
FINISH: TO MATCH FIXTURE

LAMPING: GU-10 BASE 50W
SUGGEST: GU-10 BASE 50W, 500LM, 4000K, CRI90
DIMMABLE BULB
TRIAC DIMMING

PROJECT: TUBO

LAMP: 2 X GU-10 BASE 50W

DWG:OC24238

SALES: FL

CERT.: ETL

BY: AA

MODEL: W71

WEIGHT: ±5LBS

SCALE: 1:3

VOLT:120V

NOTES:
TRIAC DIMMING
FINISHES AVAILABLE IN BLACK, WHITE, CHROME
IP65 RATED