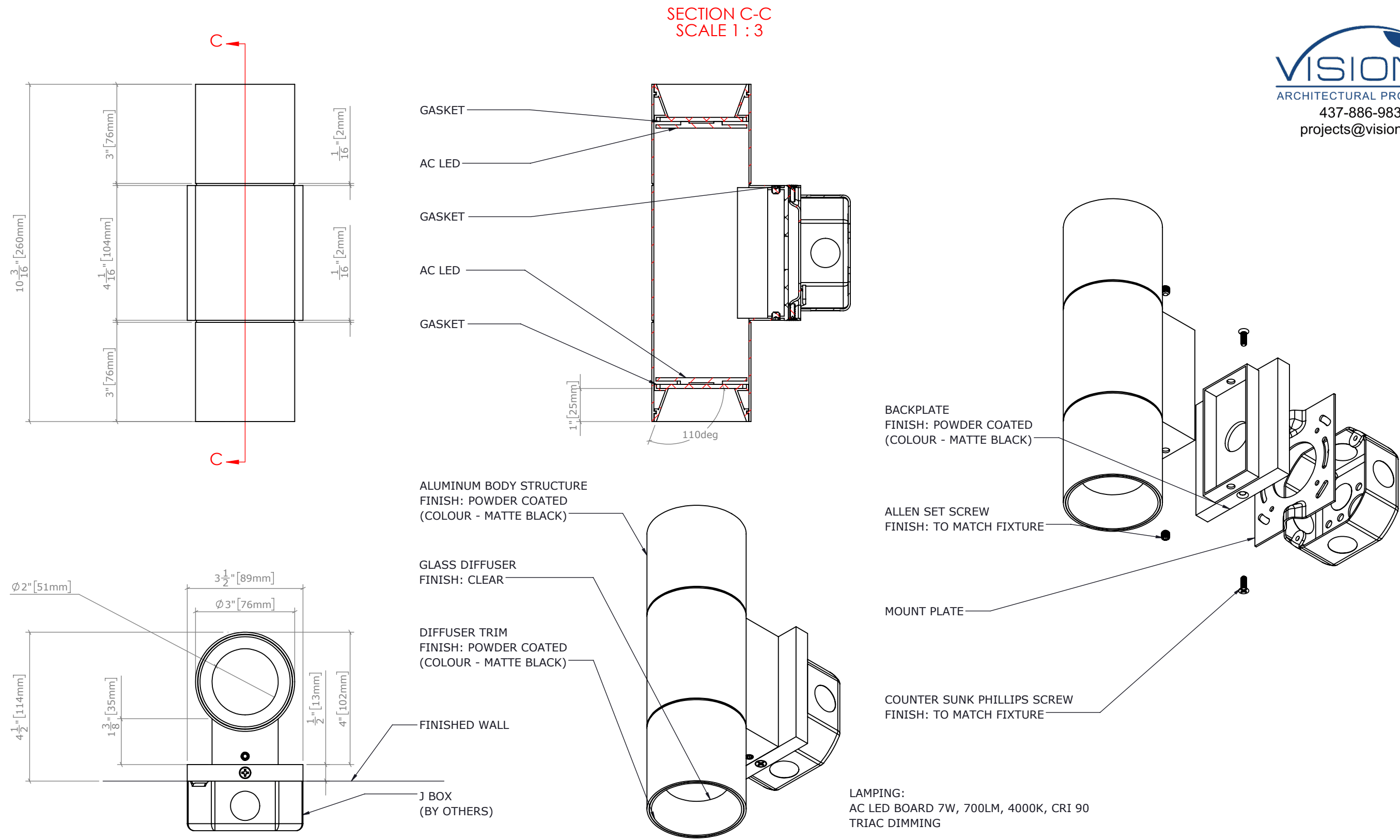


VISIONZ

Lighting  
group  
network

TUBO DIRECT - WALL SCONCE - (UP & DOWN LIGHT)  
LGN-W61-LED-BLK

REVISIONS		
REV.	DESCRIPTION	DATE
0	ISSUED FOR APPROVAL	2021-04-06



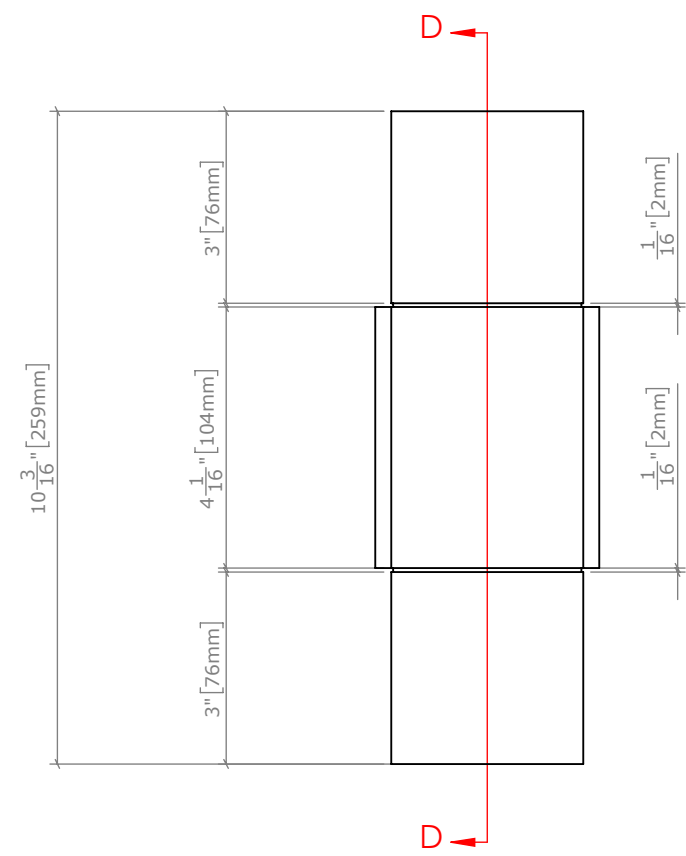
**NOTES:**  
**TRIAC DIMMING**  
**FINISHES AVAILABLE IN BLACK, WHITE, CHROME**  
**IP65 RATED**

PROJECT: TUBO	SALES: FL	MODEL: W61
LAMP: AC LED 7W, 700LM, 4000K, CRI 90	CERT.: ETL	WEIGHT: ±7LBS   VOLT: 120V
DWG: OC24238	BY: AA   DATE: 2021-04-06	SCALE: 1:3

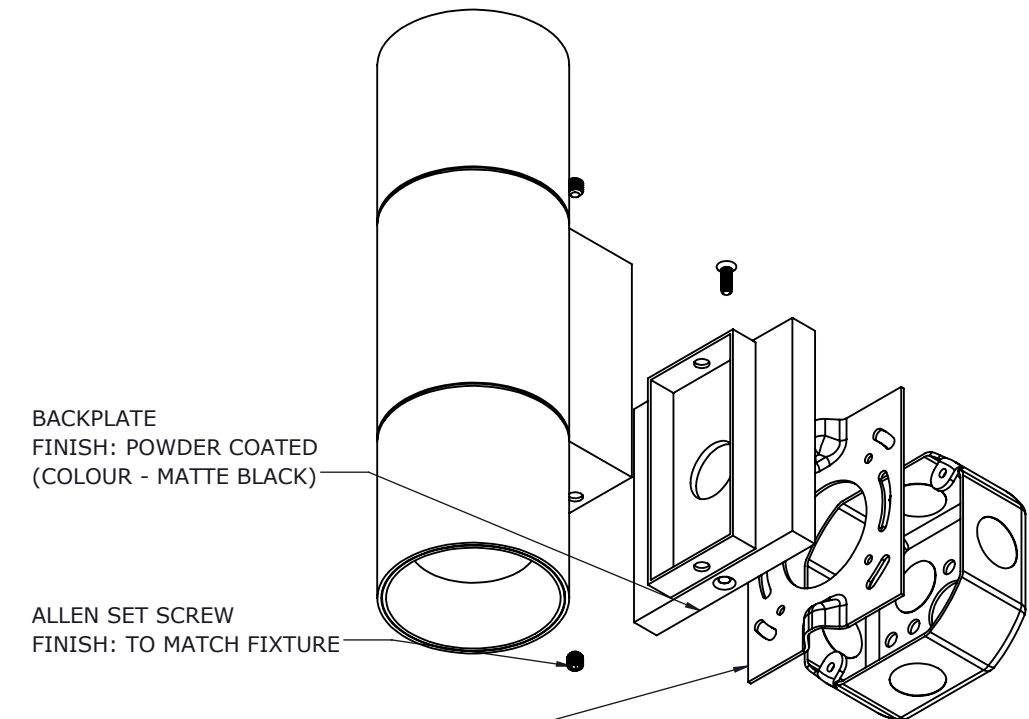
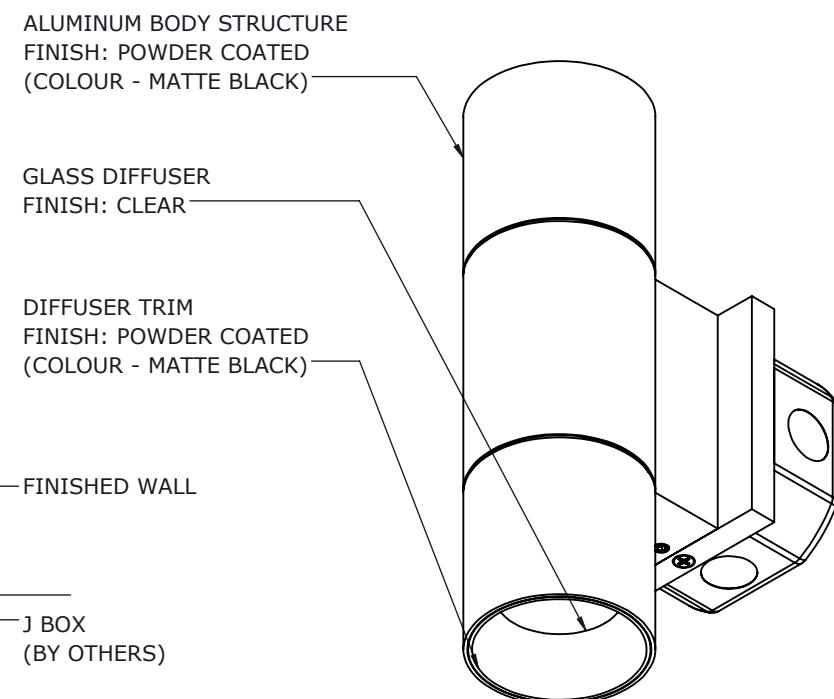
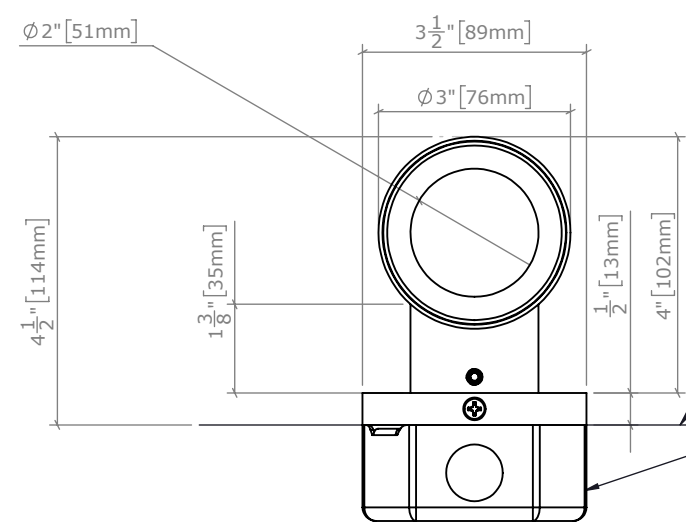
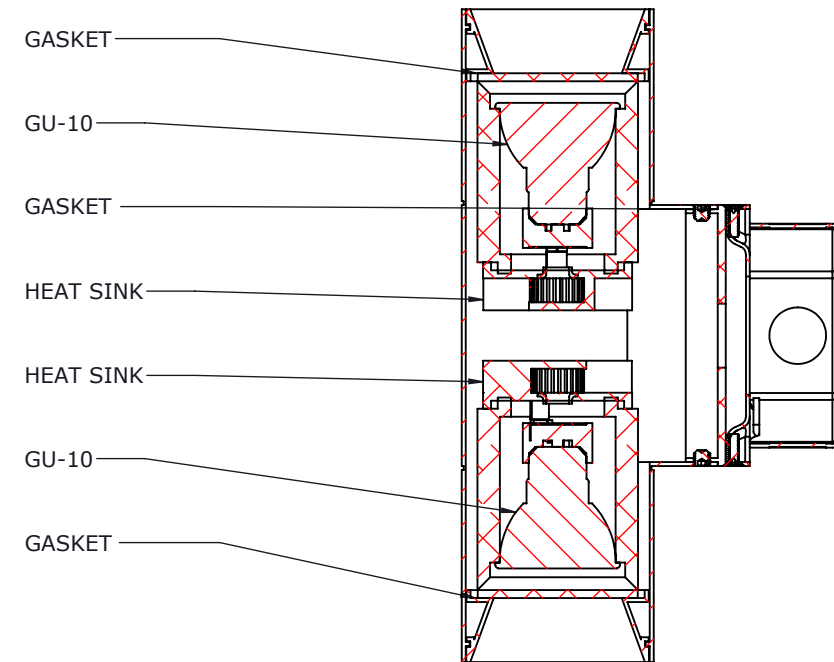
Presented drawings represent ideas and concepts, and may change in manufacturer and installation.  
 All preparation for installation of fixture is to be provided by the end user.  
 The description and measurements on this drawing are for information purposes only.

TUBO DIRECT - WALL SCONCE - (UP & DOWN LIGHT)  
LGN-W61-GU10-BLK

REVISIONS		
REV.	DESCRIPTION	DATE
0	ISSUED FOR APPROVAL	2021-04-06



SECTION D-D  
SCALE 1 : 3



BACKPLATE  
FINISH: POWDER COATED  
(COLOUR - MATTE BLACK)

ALLEN SET SCREW  
FINISH: TO MATCH FIXTURE

MOUNT PLATE

COUNTER SUNK PHILLIPS SCREW  
FINISH: TO MATCH FIXTURE

LAMPING: 2 X GU-10 BASE 50W  
SUGGEST: GU-10 BASE 50W, 500LM, 4000K, CRI90  
DIMMABLE BULB  
TRIAC DIMMING

PROJECT: TUBO

LAMP: 2 X GU-10 BASE 50W

DWG:OC24238

SALES: FL

CERT.: ETL

BY: AA DATE: 2021-04-06

MODEL: W61

WEIGHT: ±7LBS

SCALE: 1:3

VOLT:120V

**NOTES:**  
TRIAC DIMMING  
FINISHES AVAILABLE IN BLACK, WHITE, CHROME  
IP65 RATED