

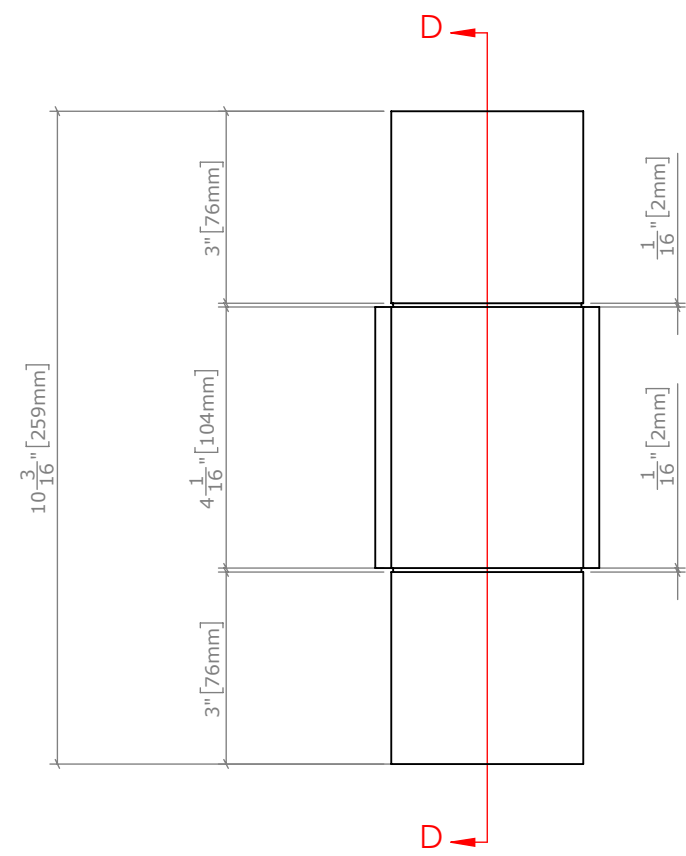
VISIONZ

Lighting
group
network

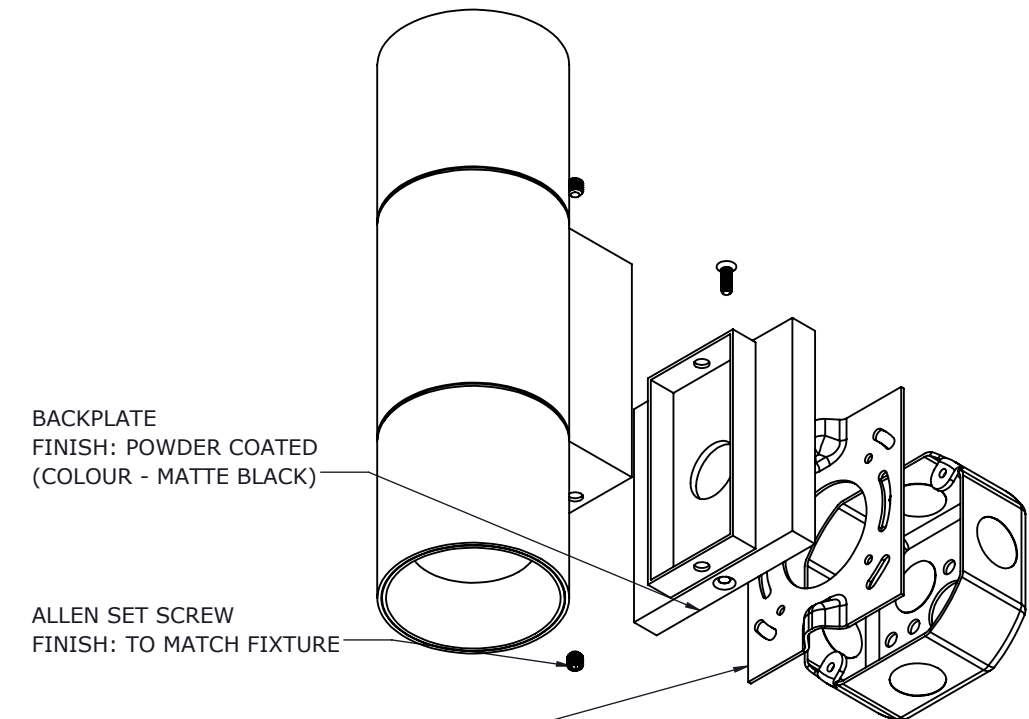
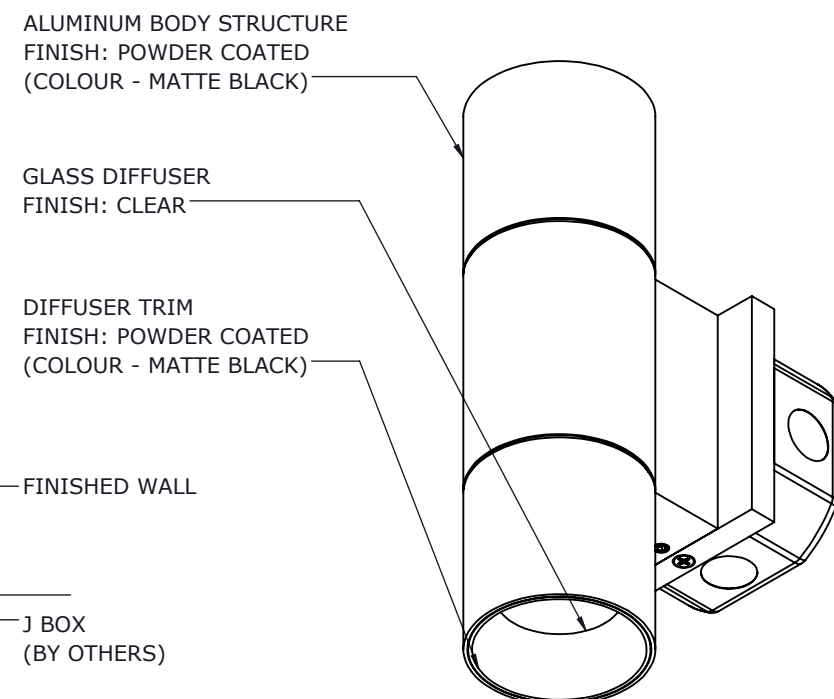
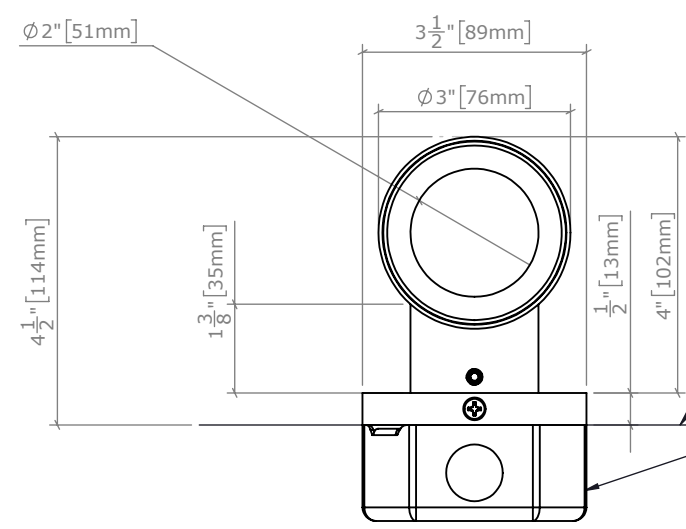
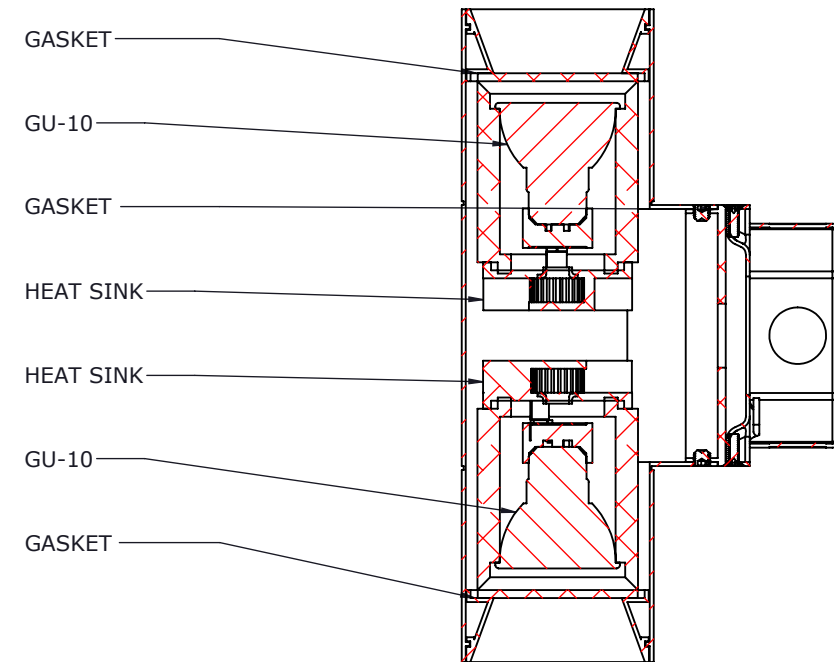
TUBO DIRECT - WALL SCONCE - (UP & DOWN LIGHT)

LGN-W61-GU10-BLK

REVISIONS		
REV.	DESCRIPTION	DATE
0	ISSUED FOR APPROVAL	2021-04-06



SECTION D-D
SCALE 1 : 3



BACKPLATE
FINISH: POWDER COATED
(COLOUR - MATTE BLACK)

ALLEN SET SCREW
FINISH: TO MATCH FIXTURE

MOUNT PLATE

COUNTER SUNK PHILLIPS SCREW
FINISH: TO MATCH FIXTURE

LAMPING: 2 X GU-10 BASE 50W
SUGGEST: GU-10 BASE 50W, 500LM, 4000K, CRI90
DIMMABLE BULB
TRIAC DIMMING

PROJECT: TUBO

LAMP: 2 X GU-10 BASE 50W

DWG:OC24238

SALES: FL

CERT.: ETL

BY: AA

MODEL: W61

WEIGHT: ±7LBS

DATE: 2021-04-06

VOLT:120V

SCALE: 1:3

NOTES:
TRIAC DIMMING
FINISHES AVAILABLE IN BLACK, WHITE, CHROME
IP65 RATED