

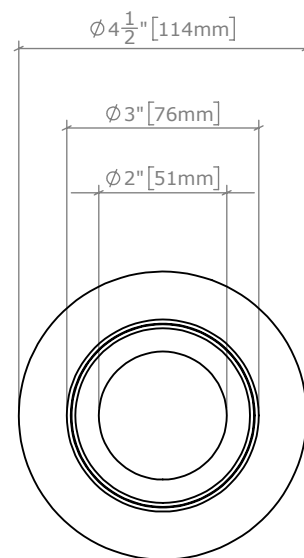
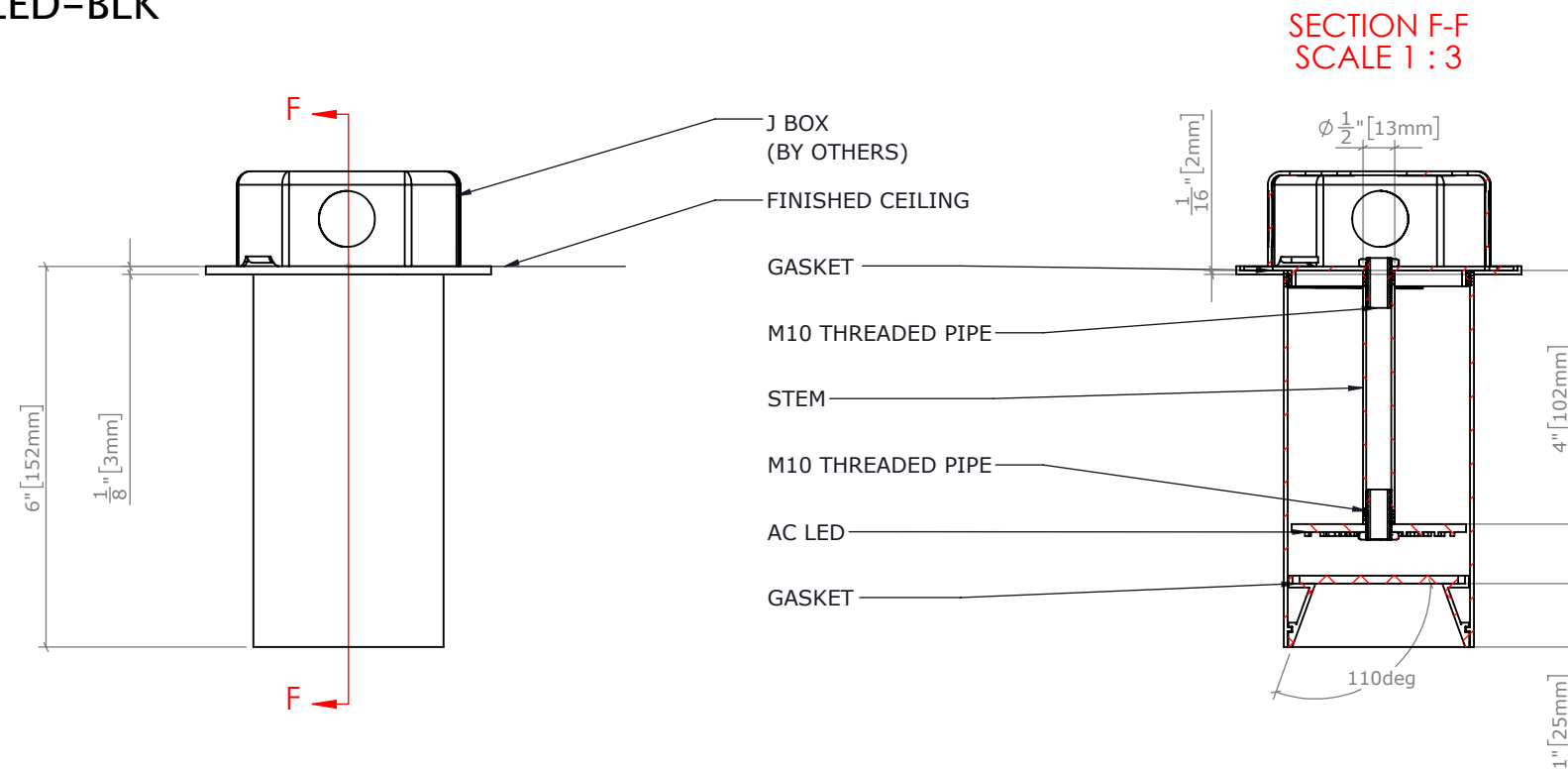


VISIONZ

Lighting  
group  
network

TUBO DIRECT - CEILING MOUNT - (DOWN LIGHT)  
LGN-C716-LED-BLK

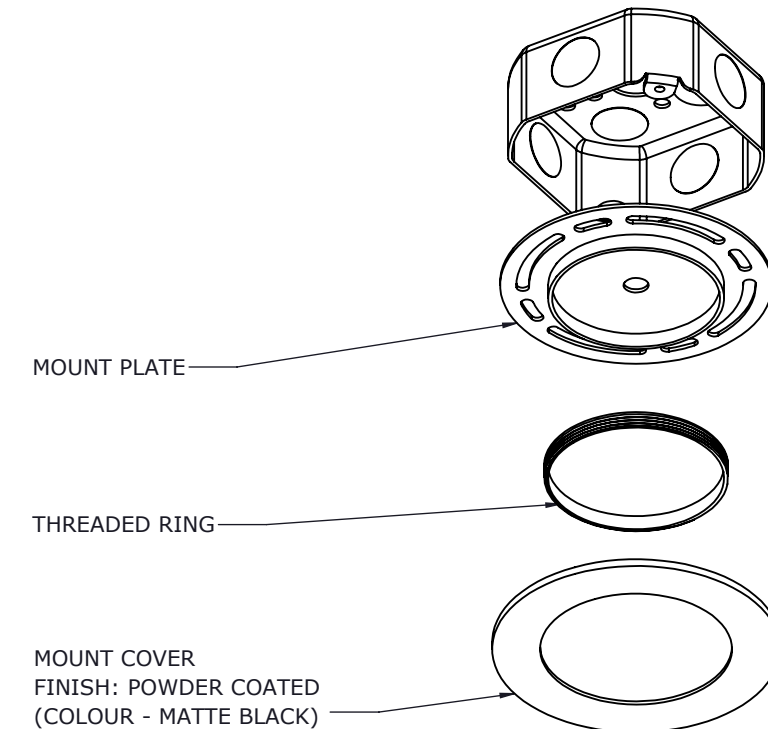
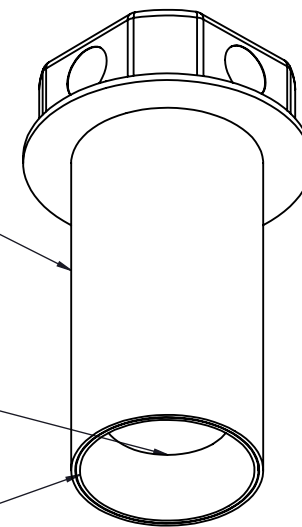
REVISIONS		
REV.	DESCRIPTION	DATE
0	ISSUED FOR APPROVAL	



ALUMINUM BODY STRUCTURE  
FINISH: POWDER COATED  
(COLOUR - MATTE BLACK)

GLASS DIFFUSER  
FINISH: CLEAR

DIFFUSER TRIM  
FINISH: POWDER COATED  
(COLOUR - MATTE BLACK)



**VISIONZ**  
ARCHITECTURAL PRODUCTS  
437-886-9837  
projects@visionz.ca



LAMPING:  
AC LED BOARD 7W, 700LM, 4000K, CRI 90  
TRIAC DIMMING

**NOTES:**  
**TRIAC DIMMING**  
**FINISHES AVAILABLE IN BLACK, WHITE, CHROME**  
**IP65 RATED**

PROJECT: TUBO

LAMP: AC LED 7W, 700LM, 4000K, CRI 90

DWG:OC24238

SALES: FL

CERT.: ETL

BY: AA

MODEL: C716

WEIGHT: ±5LBS

DATE: 2021-04-06

VOLT: 120V

SCALE: 1:3