

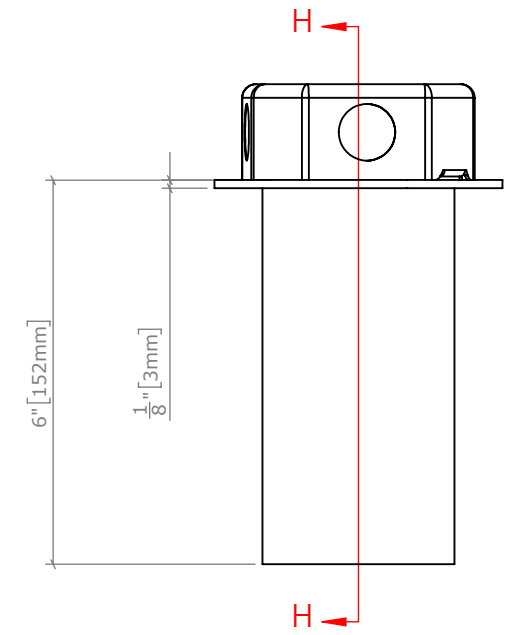


VISIONZ

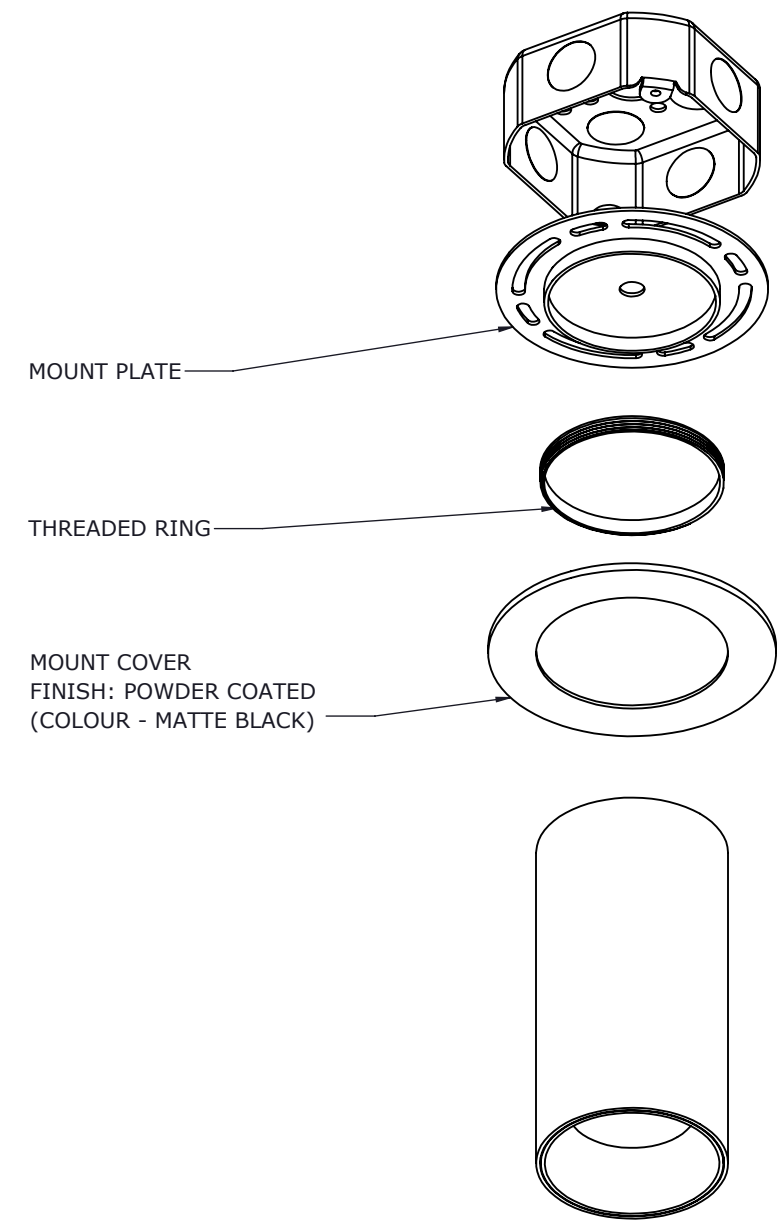
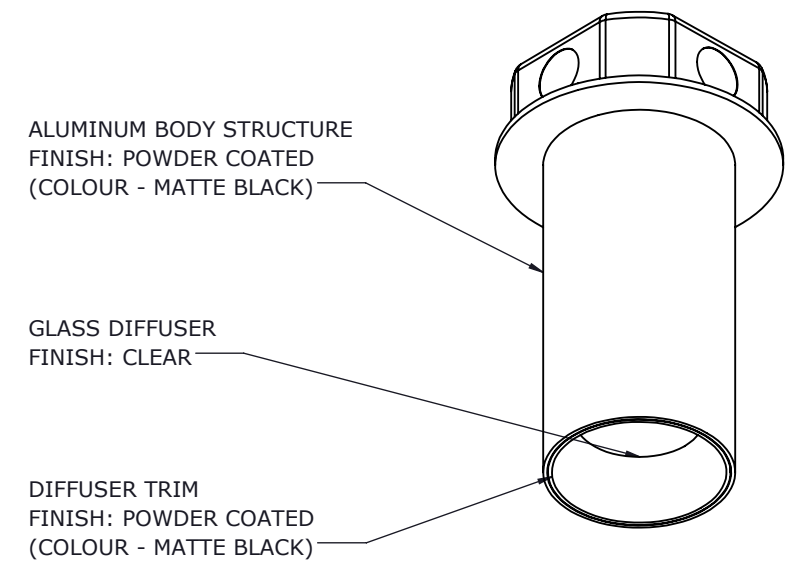
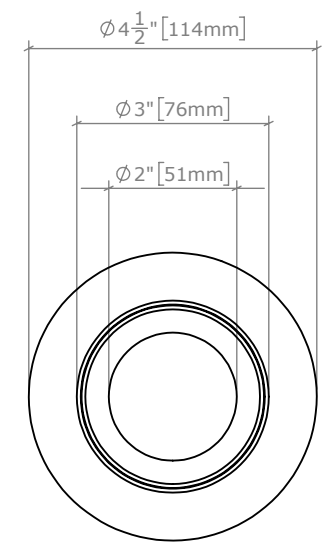
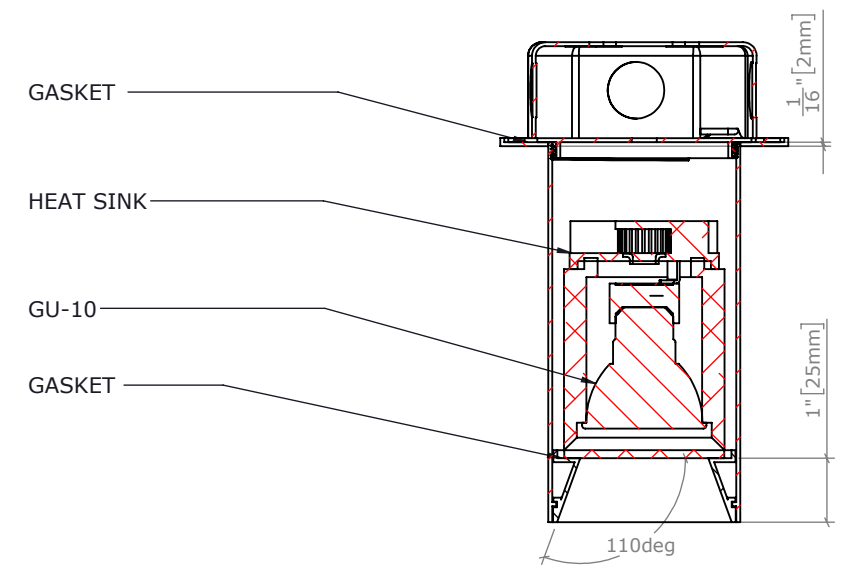
Lighting
group
network

TUBO DIRECT - CEILING MOUNT - (DOWN LIGHT)
LGN-C716-GU10-BLK

REVISIONS		
REV.	DESCRIPTION	DATE
0	ISSUED FOR APPROVAL	



SECTION H-H
SCALE 1 : 3



VISIONZ
ARCHITECTURAL PRODUCTS
437-886-9837
projects@visionz.ca

LAMPING: GU-10 BASE 50W
SUGGEST: GU-10 BASE 50W, 500LM, 4000K, CRI90
DIMMABLE BULB
TRIAC DIMMING

PROJECT: TUBO	SALES: FL	MODEL: C716
LAMP: GU-10 BASE 50W	CERT.: ETL	WEIGHT: ±5LBS VOLT:120V
DWG:OC24238	BY: AA DATE: 2021-04-06	SCALE: 1:3

NOTES:
TRIAC DIMMING
FINISHES AVAILABLE IN BLACK, WHITE, CHROME
IP65 RATED

Presented drawings represent ideas and concepts, and may change in manufacturer and installation.
All preparation for installation of fixture is to be provided by the end user.
The description and measurements on this drawing are for information purposes only.