



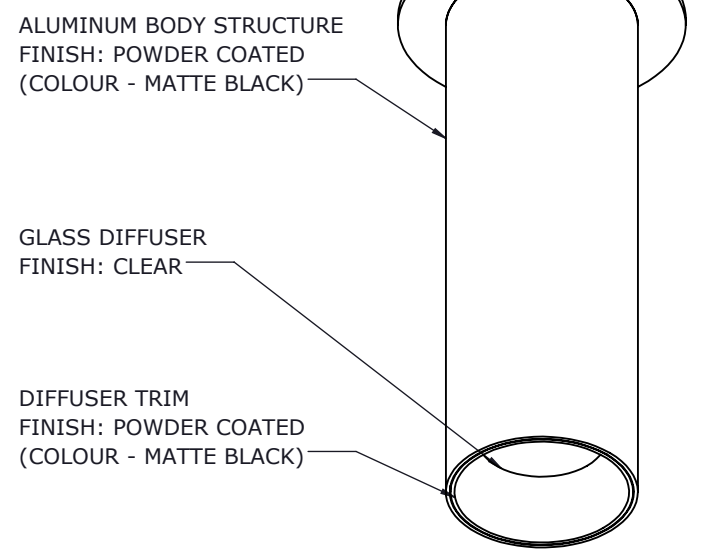
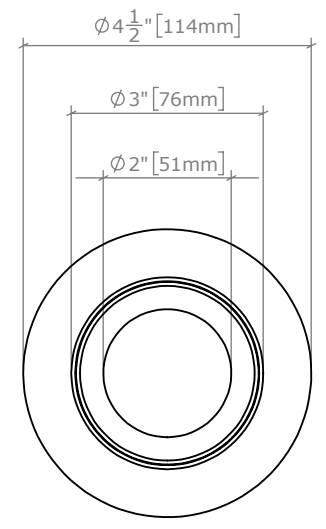
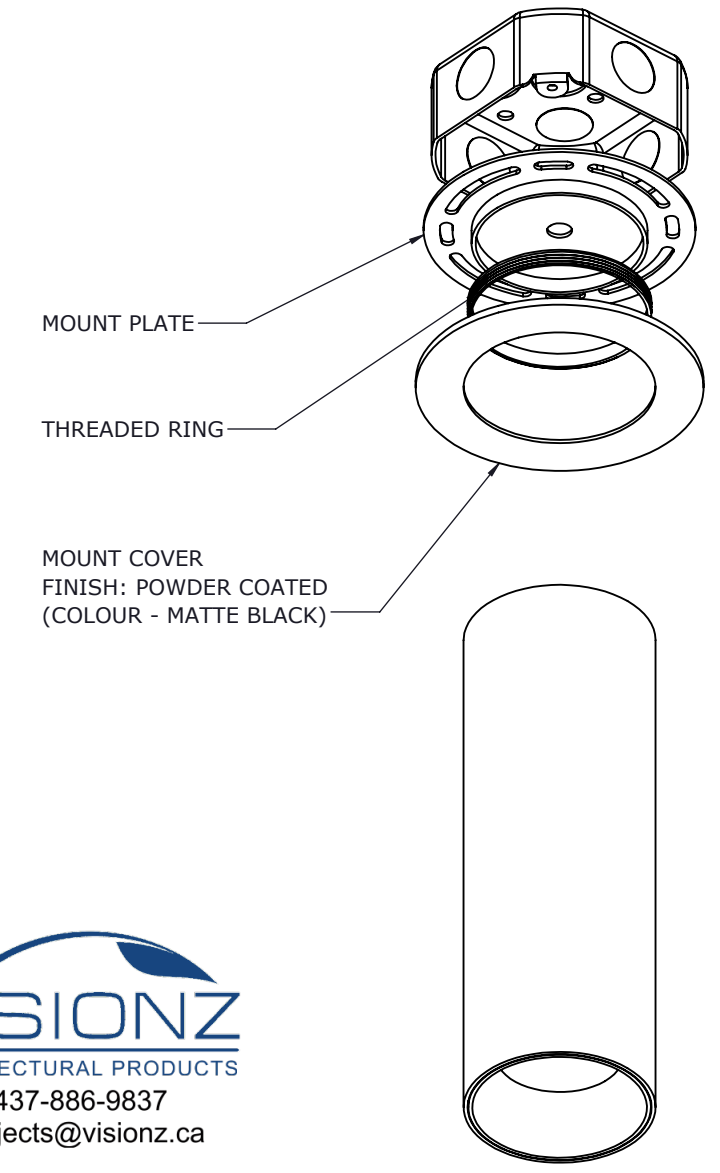
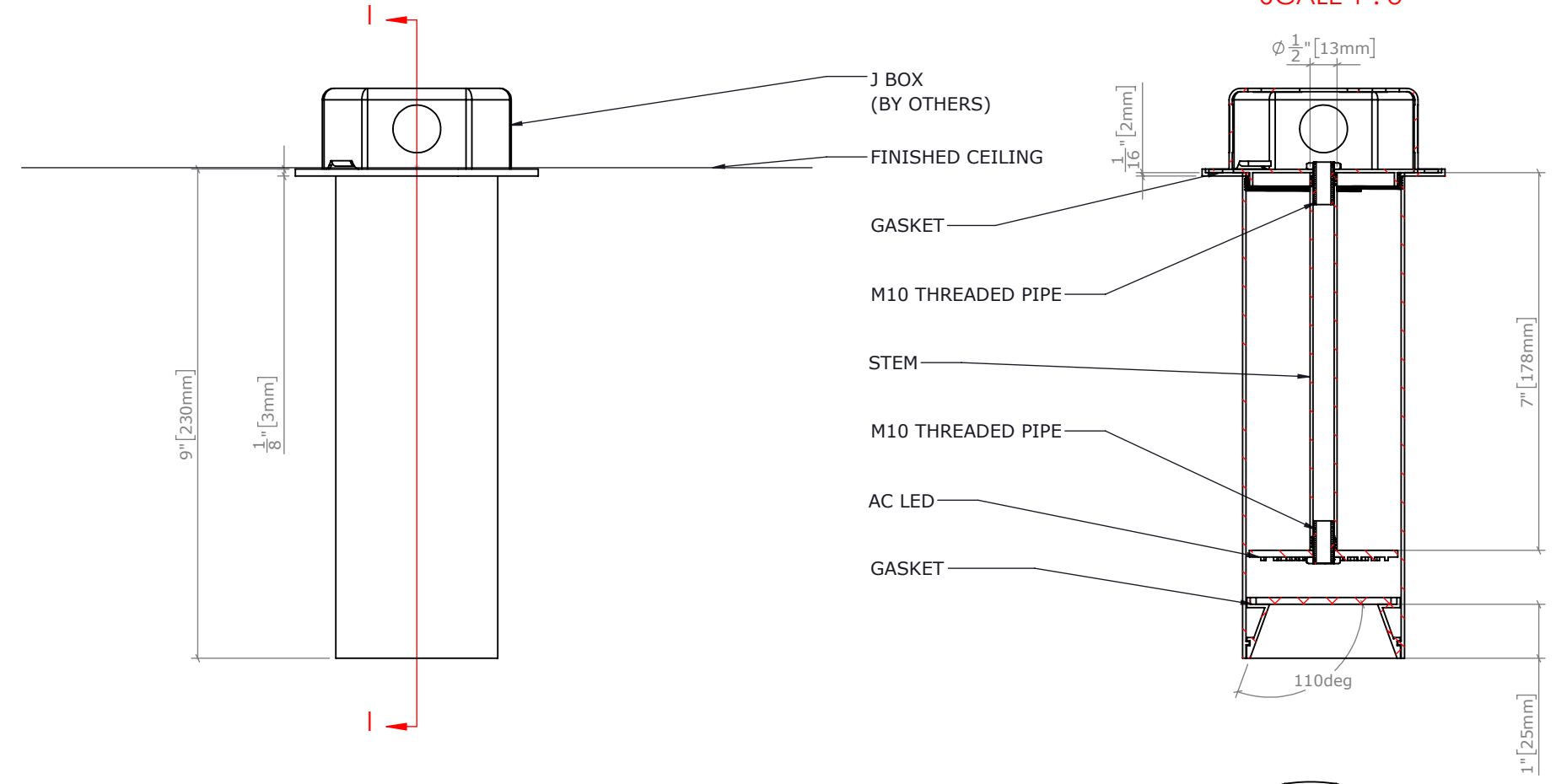
VISIONZ

Lighting
group
network

TUBO DIRECT - CEILING MOUNT - (DOWN LIGHT)

LGN-C719-LED-BLK

REVISIONS		
REV.	DESCRIPTION	DATE
0	ISSUED FOR APPROVAL	



LAMPING:
AC LED BOARD 7W, 700LM, 4000K, CRI 90
TRIAC DIMMING

NOTES:
TRIAC DIMMING
FINISHES AVAILABLE IN BLACK, WHITE, CHROME
IP65 RATED

PROJECT: TUBO	SALES: FL	MODEL: C719
LAMP: AC LED 7W, 700LM, 4000K, CRI 90	CERT.: ETL	WEIGHT: ±7LBS VOLT:120V
DWG:OC24238	BY: AA DATE: 2021-04-06	SCALE: 1:3

Presented drawings represent ideas and concepts, and may change in manufacturer and installation. All preparation for installation of fixture is to be provided by the end user. The description and measurements on this drawing are for information purposes only.