

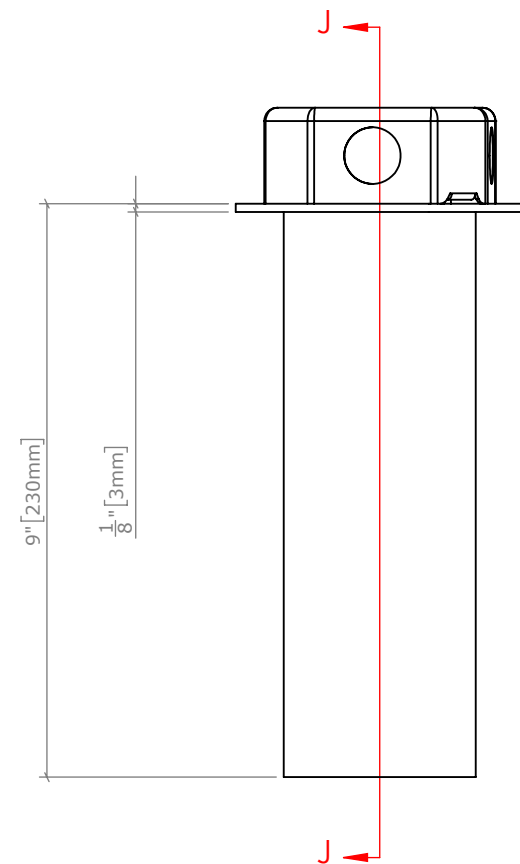


VISIONZ

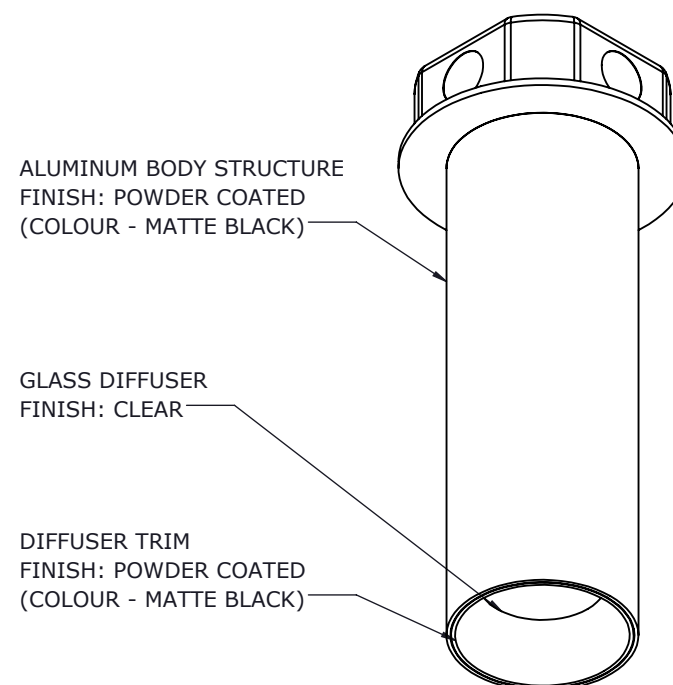
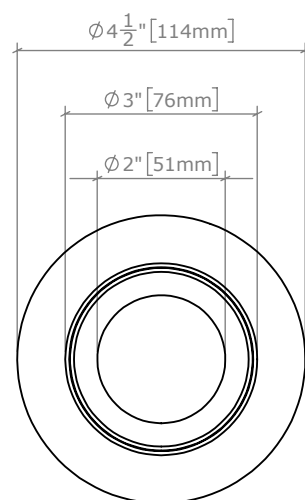
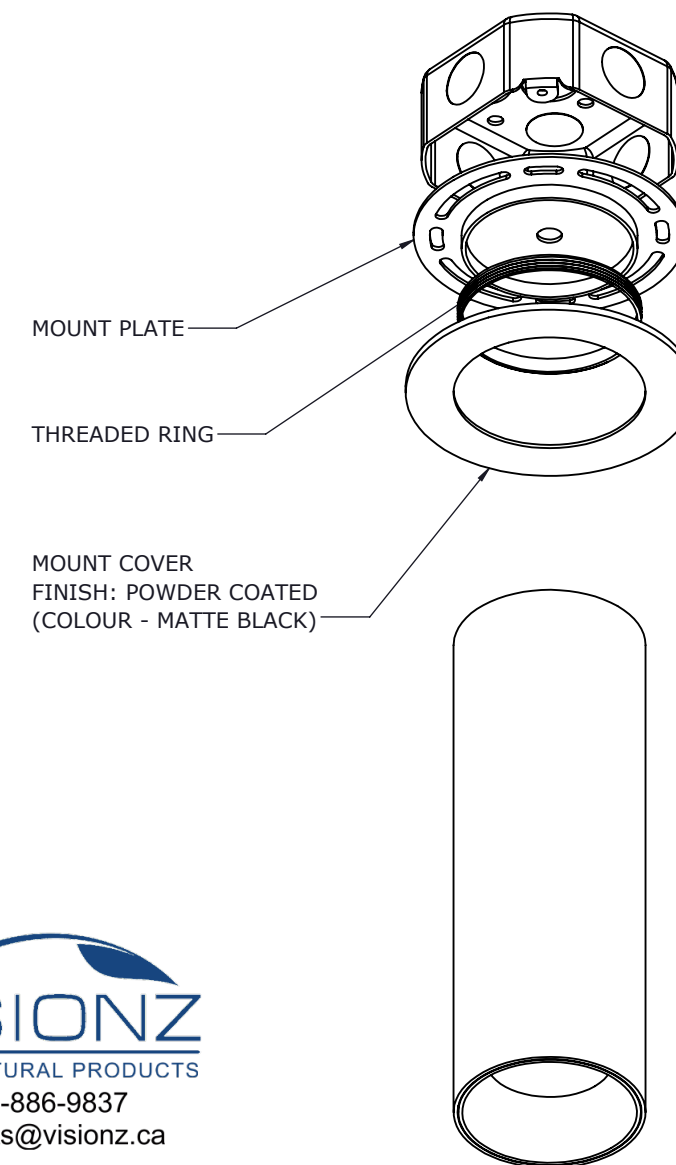
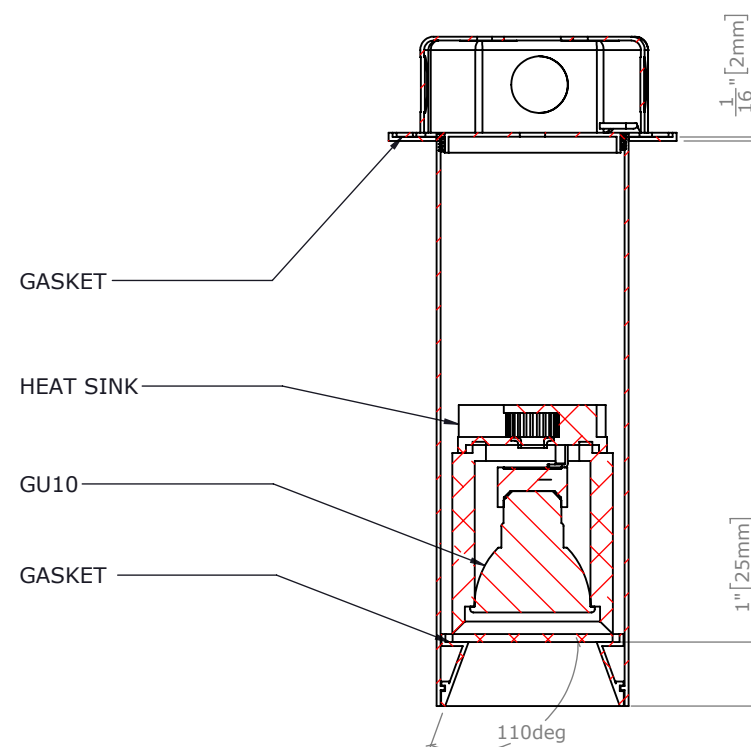
Lighting  
group  
network

TUBO DIRECT - CEILING MOUNT - (DOWN LIGHT)  
LGN-C719-GU10-BLK

REVISIONS		
REV.	DESCRIPTION	DATE
0	ISSUED FOR APPROVAL	



SECTION J-J  
SCALE 1 : 3



LAMPING: GU-10 BASE 50W  
SUGGEST: GU-10 BASE 50W, 500LM, 4000K, CRI90  
DIMMABLE BULB  
TRIAC DIMMING

PROJECT: TUBO	SALES: FL	MODEL: C719
LAMP: GU-10 BASE 50W	CERT.: ETL	WEIGHT: ±7LBS   VOLT:120V
DWG:OC24238	BY: AA DATE: 2021-04-06	SCALE: 1:3

**NOTES:**  
TRIAC DIMMING  
FINISHES AVAILABLE IN BLACK, WHITE, CHROME  
IP65 RATED